

LTC-6RDW SpectraSync

LITEISTRY 6" ROUND CYLINDER WITH COLOR TUNING

LITEISTRY™

FEATURES

- 6" architectural LED downlight and wall wash cylinder delivering 600 - 2500 lm
- 4 beam distributions from 0.3 to 1.1 Spacing Criteria
- Quiet reflector appearance with 50° optical cutoff
- SpectraSync™ Color Tuning technology allows the flexibility to tailor CCT to aesthetic preferences
- Available in Dim To Warm (2200K-3000K) or Tunable White (2700K-5000K or 2700K-6500K), 90+ CRI
- Available in Surface, Wall, Pendant, or Cable/Cord Mount configurations
- Versatile canopy options for recessed and surface-mounted J-box applications
- Standard with 0-10V dimming to 5%



RELATED PRODUCTS

Ø 3" LITEISTRY Family

Ø 4" LITEISTRY Family

Ø 6" LITEISTRY Family



(Select Models)



See Certification Specifications

CONTROL TECHNOLOGY



SPECIFICATIONS

CONSTRUCTION

- Seamless heavy gauge aluminum cylinder body with a clean appearance
- Available in Surface (S), Wall (W), Pendant (P), or Cable/Cord (CM) mounting types
- Standard or Conduit Canopy options
- For S, P, or CM mounting with CC canopy option, use 4" octagonal junction box (by others)
- All Wall Mount: Die cast aluminum mounting arm allows direct mounting to standard 4" octagonal or square junction box
- Pendant Mount canopy options allow sloped ceiling up to 35°
- Select from 4 standard architectural painted finishes, Brushed Aluminum, or specified custom color

OPTICS

- Visually pleasing 50° cutoff to source and source image
- The light distribution is free of distracting bright spots or pixelation and the perimeter has a smooth transition
- Optical grade silicone lens integral to light engine
- High purity spun aluminum reflector, self-flanged
- Large selection of anodized finishes and colors
- Painted cones and flange options available

ELECTRICAL

- LED array with 3 SDCM color consistency
- Dim to Warm (2200K-3000K) or Tunable White (2700-5000K or 2700K-6500K) options available
- 90+ CRI Standard
- Long LED life: L70 at >60,000 hrs (TM-21)
- Universal voltage 120V-277V driver
- UL Class 2, inherent short circuit and overload protection, RoHS compliant
- Flicker free 0-10V dimming to 5%

INSTALLATION

- Light Engine/Trim assembly is mechanically secured with torsion springs for ease of installation
- A quick connect is provided for easy maintenance or upgrade
- Conduit Canopy option (CC) allows field selectable conduit entry (up to 4@ 90°) (See Dimensions section)
- Conduit Canopies utilize a patent pending mounting yoke to secure cylinder to the ceiling surface
- Cable/Cord can be cut in the field to custom length
- Standard and Custom Pendant lengths available (specify when ordering)

CERTIFICATIONS

- cCSAus certified to UL 1598
- Wall Mount up to 10L (except CC): Suitable for wet locations

CERTIFICATIONS (CONTINUED)

- Pendant Mount up to 10L (except CC): Suitable for wet locations under covered ceiling
- 15L-25L: Pendant & Wall, all Surface, Cable/Cord Mount, all Wall Wash, and all CC: Suitable for damp locations
- This product qualifies as a "designated country construction material" per FAR 52.225-11 Buy American-Construction. Materials under Trade Agreements effective 6/6/2020. See [Buy American Solutions](#).

WARRANTY

- 5 year warranty
- See [HLI Standard Warranty](#) for additional information

KEY DATA	
Lumen Range	600-2500
Wattage Range	10-38
Efficacy Range (LPW)	49-60*
Reported Life (Hours)	L70 / >60,000
Input Current (mA)	83-317 (120V)

*Based on Specular, 30K, 90 CRI



LTC-6RDW SpectraSync

LITEISTRY 6" ROUND CYLINDER WITH COLOR TUNING

DATE: _____ LOCATION: _____

TYPE: _____ PROJECT: _____

CATALOG #: _____

ORDERING GUIDE

Example: LTC-6RD-CM15WHCC-15L2230TD9WD-DMTW-SS-WH

CATALOG #

LTC-6RD		Cylinder Mounting		Canopy Option	Lumen Output		CCT		CRI	
Aperture/Shape/Function		S	Surface	Refer to chart on Page 3 for available canopy options based on driver/controls selection	06L	600 Lumens ³	2230TD	2200K-3000K	9	90+ CRI
LTC-6RD	6" Round Downlight Cylinder	W	Wall		10L	1000 Lumens ³		SpectraSync™		
LTC-6RW	6" Round Wall Wash Cylinder	P	Pendant (Standard) Nominal 18" length from cylinder top to ceiling ⁸		15L	1500 Lumens ^{3,6}		Dim to Warm		
		P_	Pendant (Custom) Specify length from cylinder top to ceiling in 1 inch increments from 15 to 60 ⁸	CC	Conduit Canopy ^{3,7}	20L	2000 Lumens ^{3,6}	2750T	2700K-5000K	
		Cable/Cord⁵			25L	2500 Lumens ^{3,6}		2765T	2700K-6500K	
		CM	6ft Clear Cord						SpectraSync™	
		CMBL	6ft Black Cord						Tunable White	
		CMWH	6ft White Cord						2700K-6500K	
		CM15	15ft Clear Cord						SpectraSync™	
		CM15BL	15ft Black Cord						Tunable White	
		CM15WH	15ft White Cord							

Distribution		Driver Options		Voltage	Reflector Finish		Reflector Color	
NR	Narrow (0.3 SC/18")	DMTW	SpectraSync™ Dim to Warm, 0-10V Dimming to 5% ^{1,3}	Standard 120-277V	Finish not applicable with painted reflectors (WC or BC)		Standard Clear	
MD	Medium (0.6 SC/37")	DMT	SpectraSync™ Tunable White, 0-10V Dimming to 5% ^{2,3}					
WD	Wide (0.9 SC/59")				S	Specular	CG	Champagne Gold
XW	Extra Wide (1.1 SC/76")				SS	Semi-Specular	BL	Black
WW	Wall Wash ⁶				MFC	American Matte™	LW	Light Wheat
					VS	Softglow®	PW	Pewter
					VSS	SoftSheen™	WC	Painted White Cone and Flange
							BC	Painted Black Cone and Flange

Flange Color Options		Exterior Cylinder Color	
Standard matches reflector color		BA	Brushed Aluminum ⁹
WT	White Flange ⁴	BZ	Bronze
BT	Black Flange ⁴	BL	Matte Black
		WH	Matte White
		SVR	Silver
		CC_	Custom Color (Specify RAL#, Example: CCRAL1073)
		TCC_	True Custom Color (Specify description, Example: TCC BABY BLUE, Paint chip must be provided to match)

Notes:

- 1 Must select 2230TD with DMTW driver.
- 2 Must select either 2750T or 2765T with DMT driver.
- 3 For lumen outputs/configurations available, see chart on page 3.
- 4 WT not needed for WC, BT not needed for BC.
- 5 Cable/Cord can be cut in the field to custom length.
- 6 15L-25L require vented cylinder. Not available with WW.
- 7 See Dimensions section for canopy configuration details.
- 8 Stem length varies by canopy configuration. See Dimensions section for details.
- 9 Canopy color for Brushed Aluminum is Black.

LTC-6RDW SpectraSync

LITEISTRY 6" ROUND CYLINDER WITH COLOR TUNING

DRIVER/CONTROL OPTION AVAILABILITY

Driver and Control options listed below are available in the configurations and lumen packages as shown.

Driver/Control Option		Cylinder Mounting ¹	Canopy Options ²	06L	10L	15L	20L	25L
DMT	0-10V 5%	W	Standard/CC	●	●	▼	▼	▼
		P/S/CM	Standard/CC	●	●	▼	▼	▼
DMTW	0-10V 5%	W	Standard/CC	●	●	▼	▼	▼
		P/S/CM	Standard/CC	●	●	▼	▼	▼

- ▼ Vented cylinder required, see line art for more details.
- 1 See Cylinder Mounting chart.
- 2 See Canopy Options chart and Dimensions section for details.
- 3 RMD is Non-IC rated unless noted.

Cylinder Mounting	
W	Wall Mount
S	Surface Mount
CM	Cable/Cord Mount
P	Pendant Mount

Canopy Options	
(Blank)	Standard Canopy
CC	Conduit Canopy

CONTROLS

SpectraSync™ Color Tuning Technology:

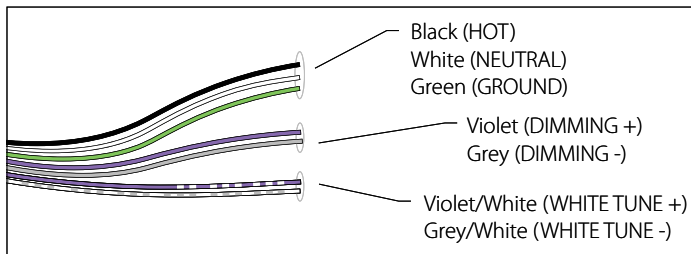
Control your space based on the needs of the application, specific activities throughout the day and preferences of the occupants with distinct SpectraSync™ Color Tuning Technologies.



SPECTRASYNCH COLOR TUNING TECHNOLOGY		
Mode	Kelvin Range	Description
Dim to Warm	2200K-3000K	Mimics the familiar warming effect that occurs with traditional incandescent sources as they are dimmed
Tunable White	2700K-5000K 2700K-6500K	Offers users the ability to tailor CCT to their personal preference, enhancing task visibility, material and colors or the aesthetics of the space
Scheduled White	2700K-5000K 2700K-6500K	Mimics the rhythm of natural light or follows an alternative user-defined schedule throughout the day, enhancing an occupant's mood and well-being

SpectraSync Tunable White

Available in two options: 2750T (2700K–5000K) or 2765T (2700K–6500K). Requires two 0–10V controllers, one for intensity and one for CCT. Minimum 5% dimming.

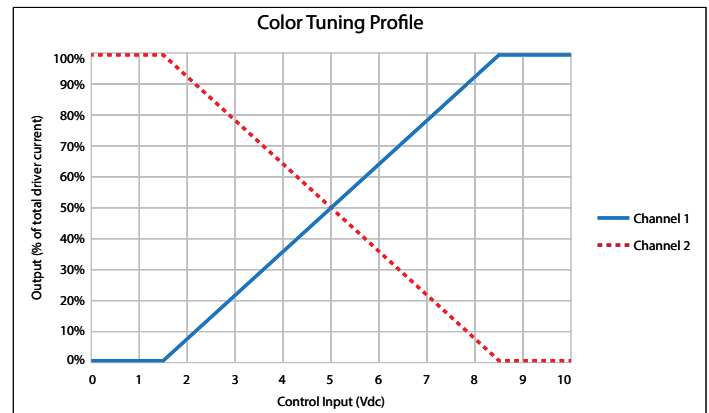


SpectraSync Tunable White luminaires are provided with two 0–10V circuits. The violet and grey circuit is for wiring to any qualified 0–10V controller for dimming. The violet/white and grey/white circuit is for wiring to any qualified 0–10V controller for Tunable White CCT control.

Controller Manufacturer Data

SpectraSync Tunable White was designed to be used with sinking style dimmers (provided by others) and is compatible with:

- Hubbell Control Solutions (HCS): NX Distributed Intelligence™ Room Controllers (NXRC) and In-fixture Controllers (NXFM)
- Lutron: DDTV, DVSTV, and NDTV dimmers
- Wattstopper: ADF120277 and CD4BL (Titan) dimmers



To enable scheduling and for use with NX wall control preset stations please refer to Hubbell Control Solutions NX SpectraSync technical sheet.



LTC-6RDW SpectraSync

LITEISTRY 6" ROUND CYLINDER WITH COLOR TUNING

DATE: _____ LOCATION: _____

TYPE: _____ PROJECT: _____

CATALOG #: _____

PERFORMANCE DATA TABLE

Performance data provided below is for 3000K, 90 CRI with Specular Clear reflector finish/color

Lumen Package	Nominal Lumens	Distribution	Delivered Lumens	Watts	LPW
06L	600	Narrow	680	10.0	68
		Medium	658	10.0	66
		Wide	630	10.0	63
		Extra Wide	618	10.0	62
		Open Single Wall Wash	639	10.0	64
10L	1000	Narrow	1087	18.0	60
		Medium	1052	18.0	58
		Wide	1007	18.0	56
		Extra Wide	988	18.0	55
		Open Single Wall Wash	1021	18.0	57
15L	1500	Narrow	1561	25.0	62
		Medium	1511	25.0	60
		Wide	1447	25.0	58
		Extra Wide	1419	25.0	57
		Open Single Wall Wash	1467	25.0	59
20L	2000	Narrow	2146	36.0	60
		Medium	2077	36.0	58
		Wide	1989	36.0	55
		Extra Wide	1951	36.0	54
		Open Single Wall Wash	2017	36.0	56
25L	2500	Narrow	2609	38.0	69
		Medium	2525	38.0	66
		Wide	2418	38.0	64
		Extra Wide	2372	38.0	62
		Open Single Wall Wash	2452	38.0	65

LTC-6RDW SpectraSync

LITEISTRY 6" ROUND CYLINDER WITH COLOR TUNING

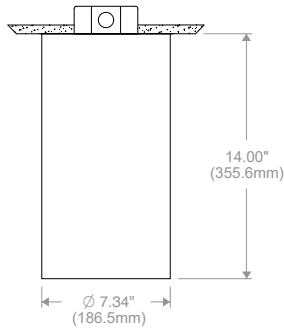
DATE: _____ LOCATION: _____

TYPE: _____ PROJECT: _____

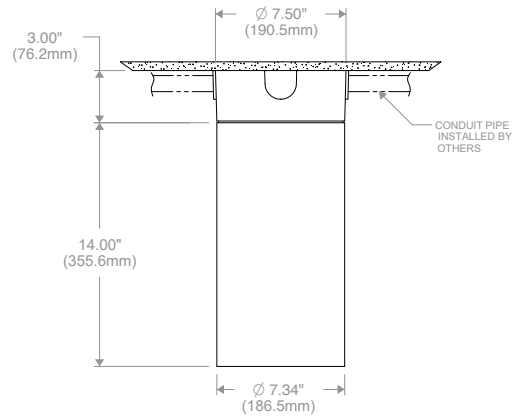
CATALOG #: _____

DIMENSIONS

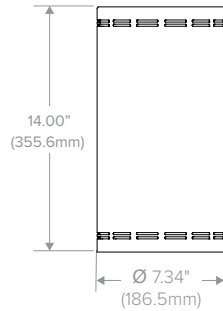
SURFACE (S)



**Surface
Standard Canopy
S**



**Surface
Conduit Canopy
SCC**



**Vented Detail View
(15L - 25L)
(All Mountings)**

LTC-6RDW SpectraSync

LITEISTRY 6" ROUND CYLINDER WITH COLOR TUNING

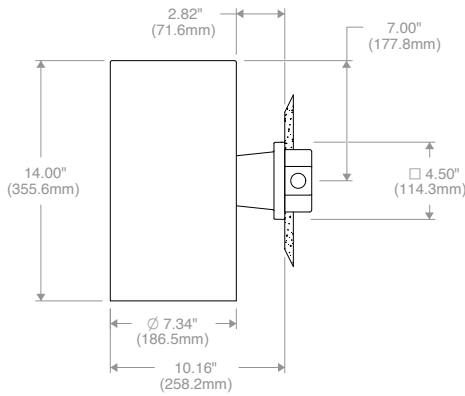
DATE: _____ LOCATION: _____

TYPE: _____ PROJECT: _____

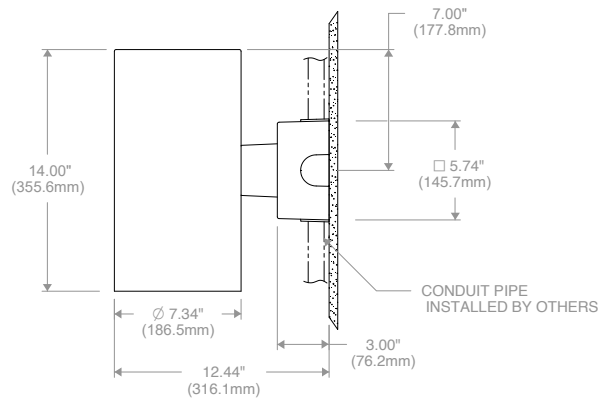
CATALOG #: _____

DIMENSIONS

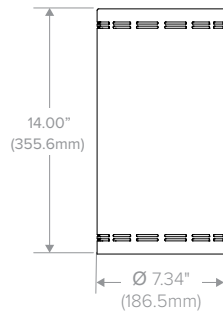
WALL (W)



**Wall
Standard Canopy
W**



**Wall
Conduit Canopy
WCC**



**Vented Detail View
(15L - 25L)
(All Mountings)**

LTC-6RDW SpectraSync

LITEISTRY 6" ROUND CYLINDER WITH COLOR TUNING

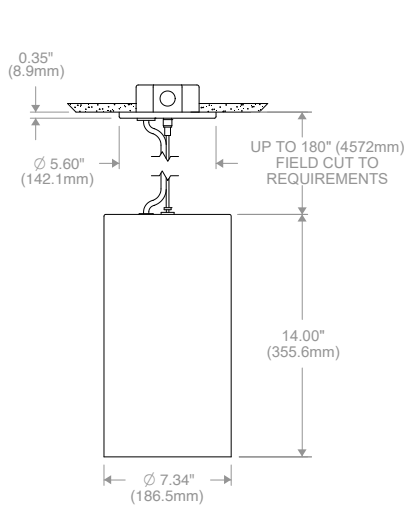
DATE: _____ LOCATION: _____

TYPE: _____ PROJECT: _____

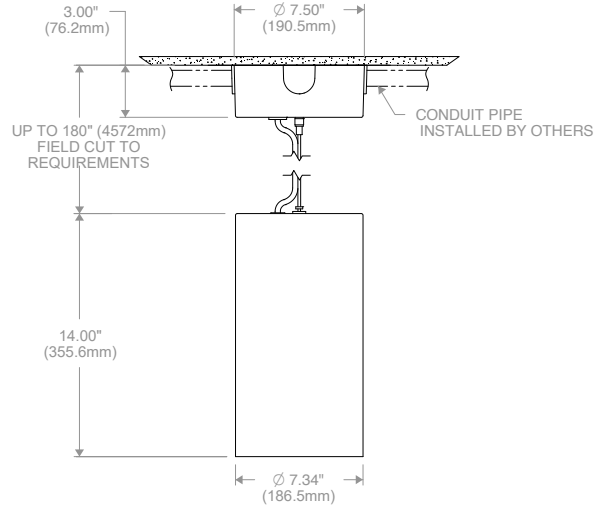
CATALOG #: _____

DIMENSIONS

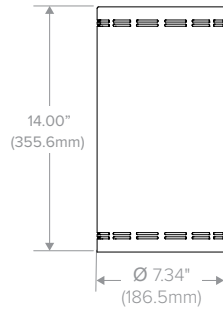
CABLE/CORD (CM)



**Cable/Cord
Standard Canopy
CM**



**Cable/Cord
Conduit Canopy
CMCC**



**Vented Detail View
(15L - 25L)
(All Mountings)**

LTC-6RDW SpectraSync

LITEISTRY 6" ROUND CYLINDER WITH COLOR TUNING

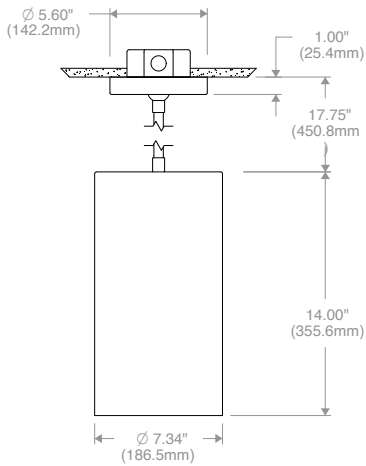
DIMENSIONS

DATE: _____ LOCATION: _____

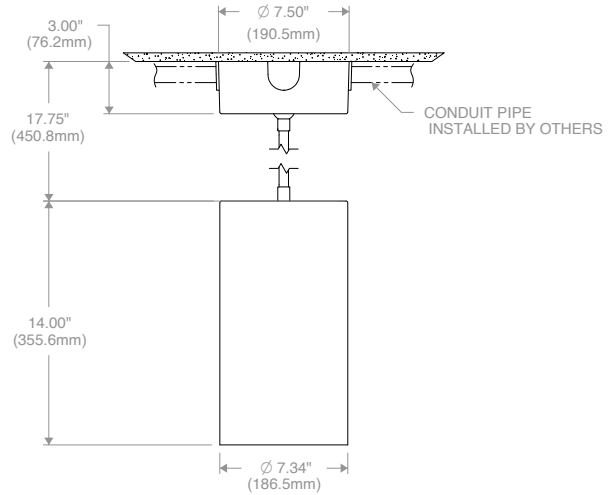
TYPE: _____ PROJECT: _____

CATALOG #: _____

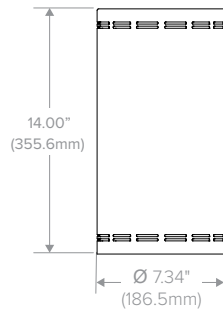
PENDANT (P)



**Pendant
(Standard Canopy)
P**



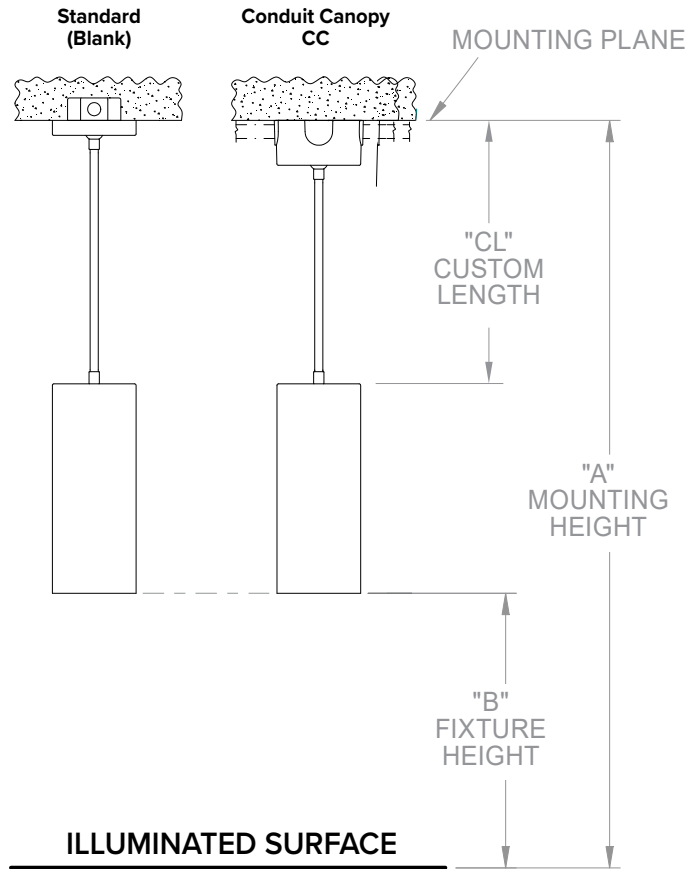
**Pendant
Conduit Canopy
PCC**



**Vented Detail View
(15L - 25L)
(All Mountings)**

DIMENSIONS

PENDANT CUSTOM LENGTH



Custom Length (CL) = Mounting Height (A) - Fixture Height (B) - 14" Cylinder

Ordering Example:

A (120") - B (72") - 14" = 34" Custom Length
LTC-6RD-P34

LTC-6RDW SpectraSync

LITEISTRY 6" ROUND CYLINDER WITH COLOR TUNING

DATE: _____ LOCATION: _____

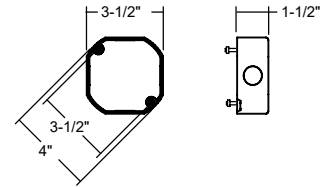
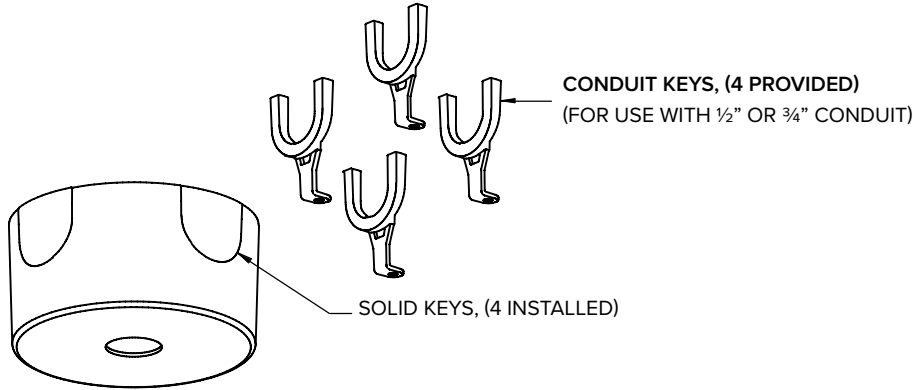
TYPE: _____ PROJECT: _____

CATALOG #: _____

DIMENSIONS

CONDUIT CANOPY DETAILS

CC and PCC Conduit Canopy options come standard with (4) Solid Keys installed and (4) Conduit Keys provided.
Accommodates a 4" octagonal junction box with 1-1/2" depth (by others).



4" OCTAGONAL JUNCTION BOX
(BY OTHERS), 1-1/2" DEPTH

CONDUIT MOUNTING EXAMPLES - FIELD INTERCHANGEABLE

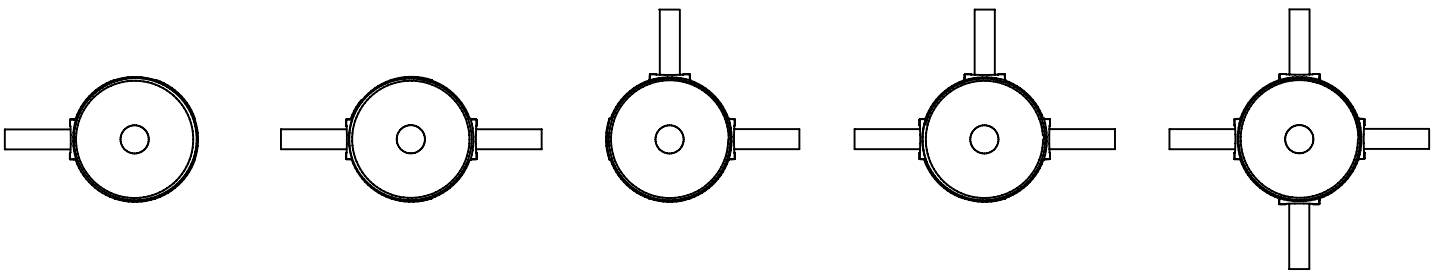
SINGLE

DOUBLE @ 180°

DOUBLE @ 90°

TRIPLE @ 90°

QUAD @ 90°



LTC-6RDW SpectraSync

LITEISTRY 6" ROUND CYLINDER WITH COLOR TUNING

PHOTOMETRY

LTC-6RD-P-20L2765T9NR-DMT-S-BL

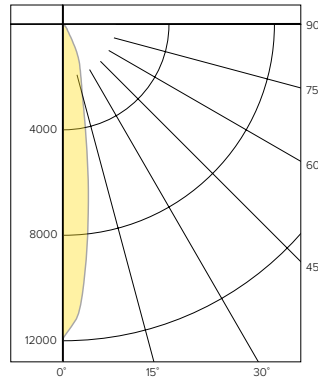
LUMINAIRE DATA

Test No.	R19.02201-C02
Description	2000 lm, Narrow, 3000K, 90 CRI
Delivered Lumens	2146
Watts	35.2W
Efficacy	61.0
Mounting	Recessed
Spacing Criterion	0.4
Beam Angle (FWHM)	18

ZONAL LUMEN SUMMARY

Zone	Lumens	% Luminaire
0-40	2083	97.1
0-60	2146	100.0
0-90	2146	100.0
0-180	2146	100.0

POLAR GRAPH



CANDELA DISTRIBUTION

Degree	Candela
0	7976
5	6898
15	2784
25	1179
35	263
45	72
55	0
65	0
75	0
85	0
90	0

LUMINANCE DATA*

Vertical Angle	Average
45°	6072
55°	0
65°	0
75°	0
85°	0

*Candela/Square Meter

LTC-6RD-P-20L2765T9MD-DMT-S-BL

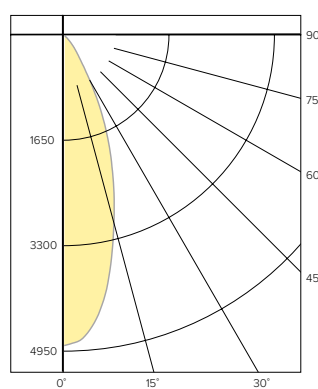
LUMINAIRE DATA

Test No.	R19.02200-C02
Description	2000 lm, Medium, 3000K, 90 CRI
Delivered Lumens	2077
Watts	35.4W
Efficacy	59.0
Mounting	Recessed
Spacing Criterion	0.6
Beam Angle (FWHM)	37

ZONAL LUMEN SUMMARY

Zone	Lumens	% Luminaire
0-40	1992	95.9
0-60	2074	99.9
0-90	2077	100.0
0-180	2077	100.0

POLAR GRAPH



CANDELA DISTRIBUTION

Degree	Candela
0	4221
5	4036
15	2741
25	1362
35	369
45	91
55	6
65	2
75	1
85	0
90	0

LUMINANCE DATA*

Vertical Angle	Average
45°	7675
55°	624
65°	282
75°	230
85°	0

*Candela/Square Meter

LTC-6RD-P-20L2765T9WD-DMT-S-BL

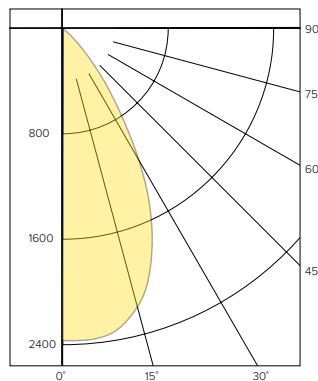
LUMINAIRE DATA

Test No.	R19.02199-C02
Description	2000 lm, Wide, 3000K, 90 CRI
Delivered Lumens	1989
Watts	35.3W
Efficacy	56.0
Mounting	Recessed
Spacing Criterion	0.9
Beam Angle (FWHM)	59

ZONAL LUMEN SUMMARY

Zone	Lumens	% Luminaire
0-40	1833	92.1
0-60	1985	99.8
0-90	1989	100.0
0-180	1989	100.0

POLAR GRAPH



CANDELA DISTRIBUTION

Degree	Candela
0	2069
5	2080
15	1973
25	1454
35	677
45	168
55	10
65	3
75	1
85	0
90	0

LUMINANCE DATA*

Vertical Angle	Average
45°	14168
55°	1040
65°	423
75°	230
85°	0

*Candela/Square Meter

LTC-6RDW SpectraSync

LITEISTRY 6" ROUND CYLINDER WITH COLOR TUNING

PHOTOMETRY CONTINUED

LTC-6RD-P-20L2765T9XW-DMT-S-BL

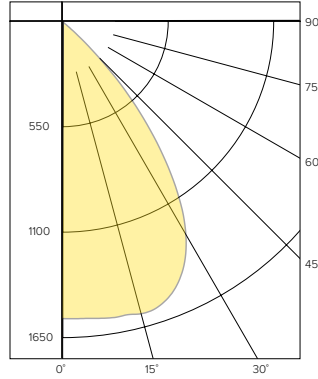
LUMINAIRE DATA

Test No.	R19.00586-C02
Description	2000 lm, Extra Wide, 3000K, 90 CRI
Delivered Lumens	1951
Watts	35.3W
Efficacy	55.0
Mounting	Recessed
Spacing Criterion	1.1
Beam Angle (FWHM)	76

ZONAL LUMEN SUMMARY

Zone	Lumens	% Luminaire
0-40	1711	87.7
0-60	1946	99.8
0-90	1951	100.0
0-180	1951	100.0

POLAR GRAPH



CANDELA DISTRIBUTION

Degree	Candela
0	1411
5	1416
15	1437
25	1333
35	919
45	275
55	8
65	3
75	1
85	0
90	0

LUMINANCE DATA*

Vertical Angle	Average
45°	23154
55°	853
65°	386
75°	210
85°	0

*Candela/Square Meter

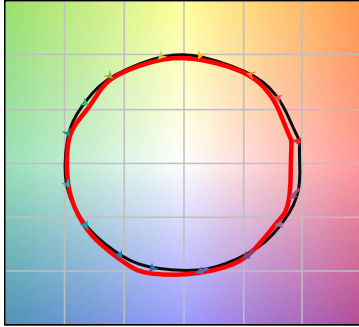
LTC-6RDW SpectraSync

LITEISTRY 6" ROUND CYLINDER WITH COLOR TUNING

TM-30 DATA

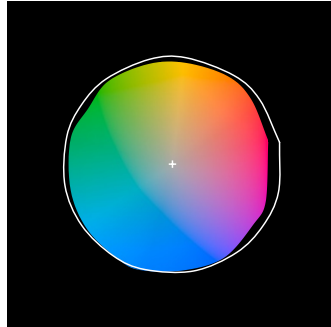
SPECTRASYNCTM TUNABLE WHITE (2765T)

COLOR VECTOR GRAPHIC
2700K, 90+ CRI

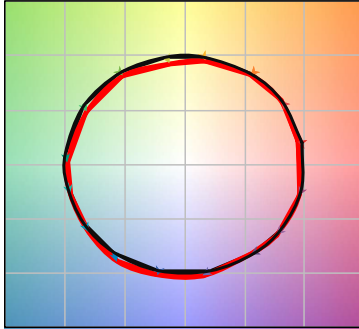


— Reference Illuminant — Test Source

COLOR DISTORTION GRAPHIC
2700K, 90+ CRI

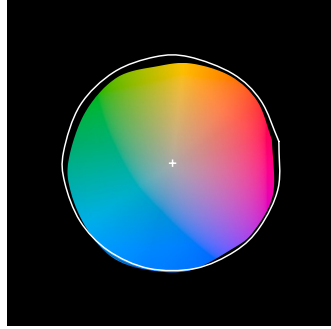


COLOR VECTOR GRAPHIC
4600K, 90+ CRI

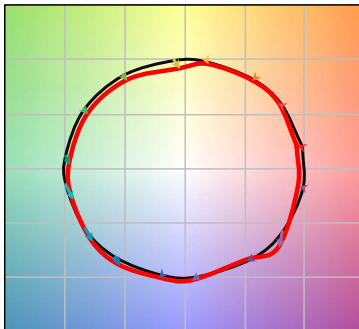


— Reference Illuminant — Test Source

COLOR DISTORTION GRAPHIC
4600K, 90+ CRI



COLOR VECTOR GRAPHIC
6500K, 90+ CRI



— Reference Illuminant — Test Source

COLOR DISTORTION GRAPHIC
6500K, 90+ CRI



TEST RESULTS - TUNABLE WHITE @ 1500 LUMENS (NOMINAL)			
Value	2700K	4600K	6500K
Luminous Flux (lm)	1407	1604	1660
Wattage (W)	23.9	24.3	24.6
Efficacy (lm/W)	59	66	68
R _f	90	89	87
R _g	97	98	96
CCT (K)	2817	4588	6518
D _{UV}	-0.0013	-0.0040	0.0018
x	0.4482	0.3565	0.3131
y	0.4047	0.3531	0.3273
CIE R _a	91	95	94
CIE R _g	47	81	76

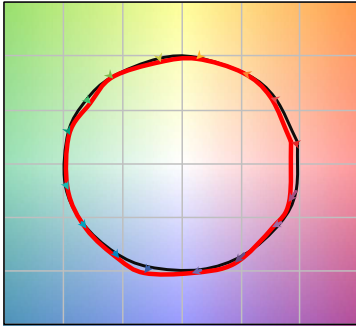
LTC-6RDW SpectraSync

LITEISTRY 6" ROUND CYLINDER WITH COLOR TUNING

TM-30 DATA CONTINUED

SPECTRASYNCTM DIM TO WARM (2230TD)

COLOR VECTOR GRAPHIC
3000K, 90+ CRI @ 100%

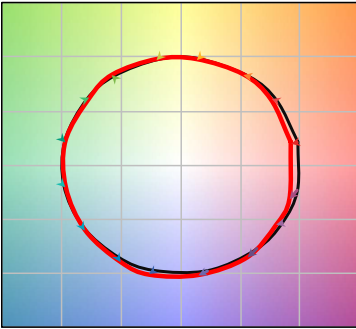


— Reference Illuminant — Test Source

COLOR DISTORTION GRAPHIC
3000K, 90+ CRI @ 100%



COLOR VECTOR GRAPHIC
2600K, 90 CRI @ 50% DIM

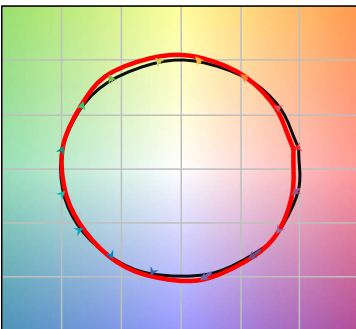


— Reference Illuminant — Test Source

COLOR DISTORTION GRAPHIC
2600K, 90 CRI @ 50% DIM



COLOR VECTOR GRAPHIC
2200K, 90 CRI @ 5% DIM



— Reference Illuminant — Test Source

COLOR DISTORTION GRAPHIC
2200K, 90 CRI @ 5% DIM



TEST RESULTS - DIM TO WARM @ 3 DIMMING LEVELS			
Value	100%	50% Dim	5% Dim
Luminous Flux (lm)	1501	772	53
Wattage (W)	24.3	14	3.4
Efficacy (lm/W)	62	55	16
R _f	90	92	91
R _g	97	99	102
CCT (K)	3123	2590	2282
D _{uv}	-0.0017	-0.0015	-0.0029
x	0.4261	0.4662	0.4907
y	0.3965	0.4082	0.4068
CIE R _a	92	93	93
CIE R _g	53	60	64



LTC-6RDW SpectraSync

LITEISTRY 6" ROUND CYLINDER WITH COLOR TUNING

DATE: _____ LOCATION: _____

TYPE: _____ PROJECT: _____

CATALOG #: _____

ELECTRICAL DATA

DRIVER DATA	
Input Voltage	120-277 V
Input Frequency	50/60 Hz
Power Factor	≥0.90
THD	<20%
EMI Filtering (FCC 47 CFR Part 15)	Class A

WATTAGE DATA		
Lumen Output	Nominal Lumens	WATTAGE
06L	600	10
10L	1000	18
15L	1500	25
20L	2000	36
25L	2500	38

* Wattage may vary based on configuration and options selected

ADDITIONAL INFORMATION

Central Inverters

For full fixture output in back-up mode, we recommend you visit www.dual-lite.com for your Central Lighting Inverter options. Please contact your local Hubbell representative for any assistance with proper sizing and loading of your inverter selection. Central lighting inverters must be ordered separately.

LiteGear: www.dual-lite.com/products/litegear_lg_series

LPS Series: www.dual-lite.com/products/lps